

# ECT series Digital Cap Torque Tester



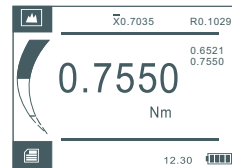
## Features

- Accuracy:  $\pm 0.3\%$  of readings
- Reversible display
- Units: N·m, N·cm, kgf·cm, lbf·ft, lbf·in
- Display Mode: Digital/Diagram
- Measuring Mode:
  - Track, Peak, First Peak, Auto Peak, Double Peak, Preset, Auto First Peak
- Connect to PC easily
- Printing: Wireless Printer



## Models

Model	Capacity/Resolution				
	N.m	N.cm	kgf.cm	lbf.ft	lbf.in
ECT2	0.1~2/0.0002	10~200/0.02	1~20/0.002	0.07~1.48/0.0002	0.89~17.7/0.002
ECT5	0.25~5/0.0005	25~500/0.05	2.5~50/0.005	0.18~3.7/0.0005	2.2~44.3/0.005
ECT10	0.5~10/0.001	50~1000/0.1	5~100/0.01	0.37~7.4/0.001	4.4~88.5/0.01
ECT20	1~20/0.002	100~2000/0.2	10~200/0.02	0.7~14.8/0.002	8.9~177/0.02



Digital Display

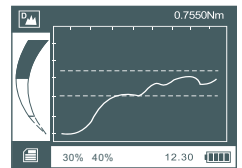




Diagram Display

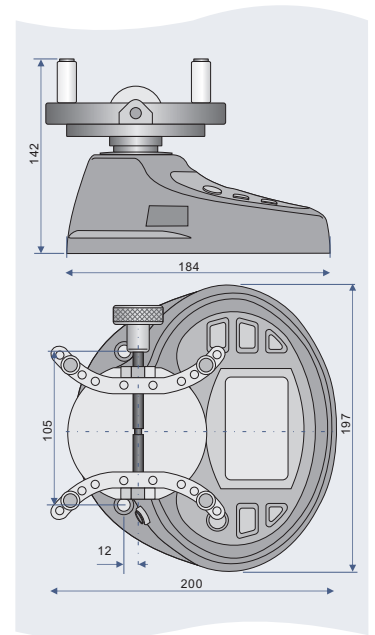
## Specifications

Measuring Range	5%~100% capacity
Accuracy	$\pm 0.3\%$ reading
Clamping Range	$\Phi 19.5 \sim \Phi 190$
Units	N·m, N·cm, kgf·cm, lbf·ft, lbf·in
Display	240*160 matrix LCD with Backlight
Overload	120% F.S.
Display Mode	Digital/Diagram
Measuring Mode	Track, Peak, AutoPeak, FirstPeak, Double Peak, Preset, Auto First Peak
Sampling Rate	16 kHz(max.)
Memory	1000 data
Output	USB, Set point output, RS232C
Power	3.6VDC Ni-MH rechargeable batteries Universal USB charger, Input:100~240VAC
Dimension	197X183X142 mm
Weight	~ 2.5 kg

## Optional

Mini Printer
EPX58P

EON311f0000
Rs232 Cable
ECB-MD8-DB9

Torque Test Stand
EST-TT2

EON420b0000



## Package



## Optional Model:

